

4

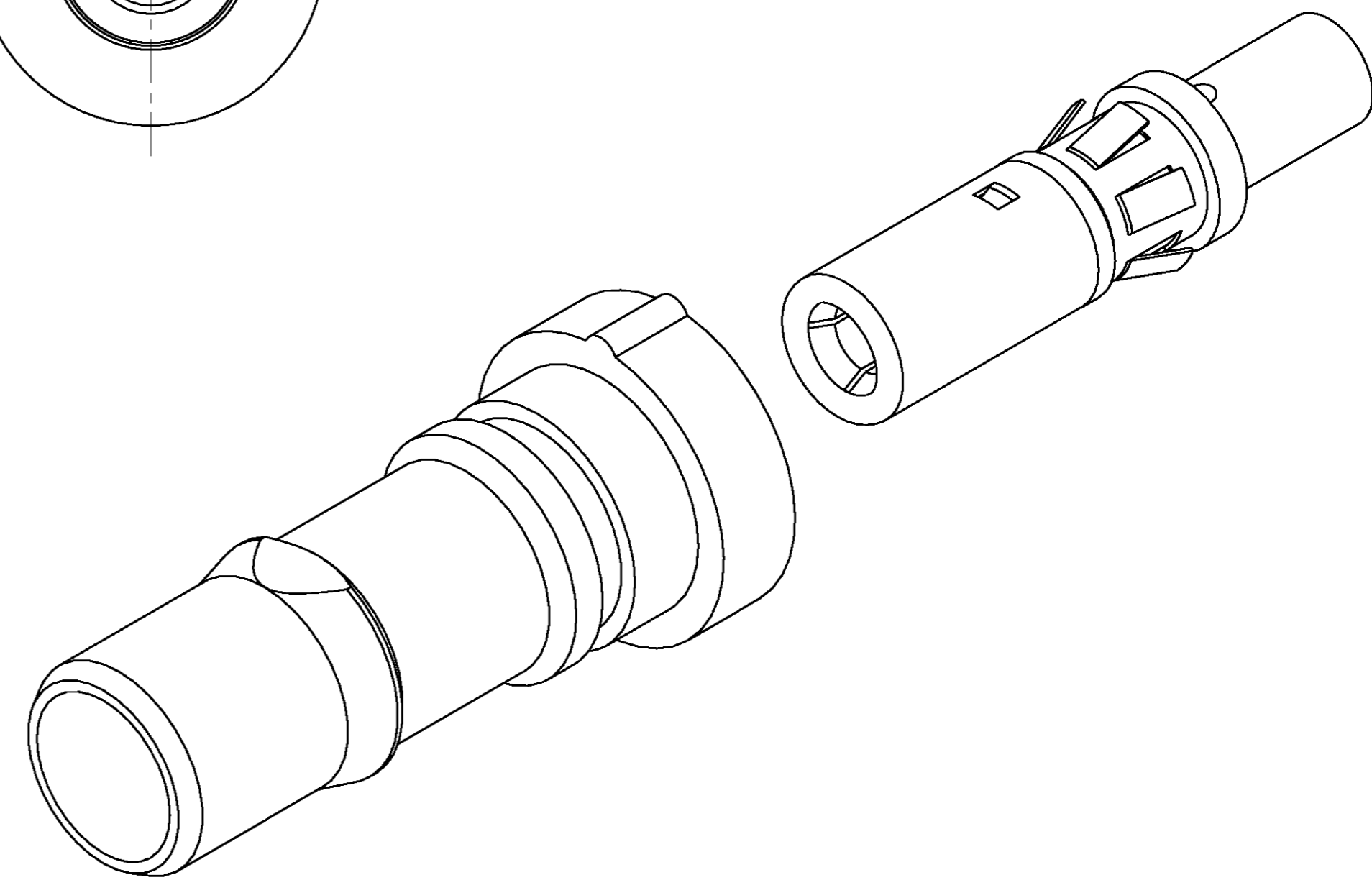
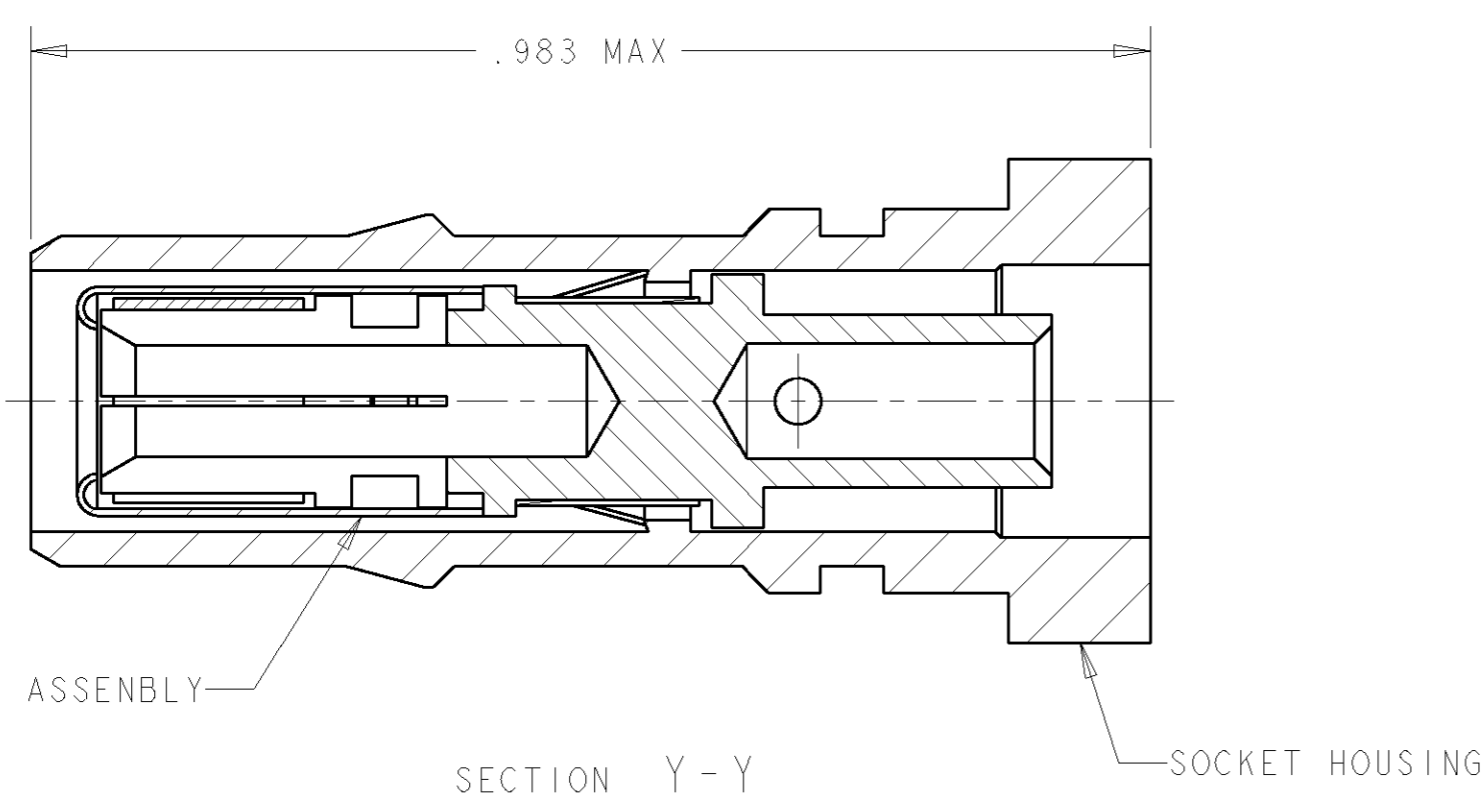
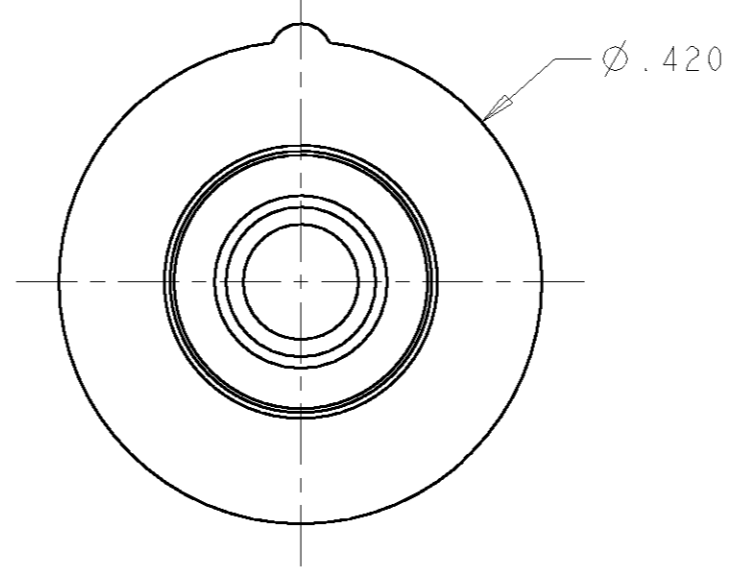
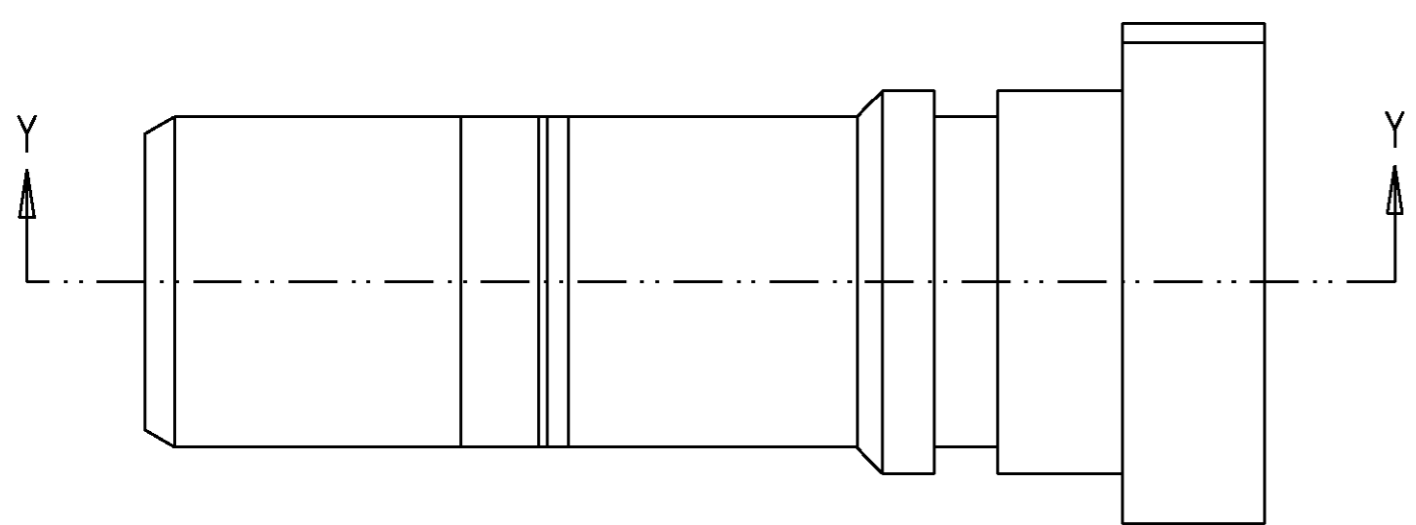
3

2

1

THIS DRAWING IS UNPUBLISHED. RELEASED FOR PUBLICATION 20
 © COPYRIGHT 20 BY TYCO ELECTRONICS CORPORATION. ALL RIGHTS RESERVED.

LOC	DIST	REVISIONS					
FT	0	P	LTR	DESCRIPTION	DATE	DWN	APVD
		C		RELEASED ECR-05-000828	25APR2005	SW	SH



SOCKET CONTACT ASSEMBLY

SECTION Y-Y

SOCKET HOUSING

1. PARTS PACKAGED UNASSEMBLED.
2. CONTACT RESISTANCE: 1.2 MILLIOHMS.
3. BREAKAWAY FORCE: 25-35 POUNDS.

207028-1
 PART NUMBER

<small>THIS DRAWING IS A CONTROLLED DOCUMENT FOR TYCO ELECTRONICS CORPORATION. IT IS SUBJECT TO CHANGE AND THE CONTROLLING ENGINEERING ORGANIZATION SHOULD BE CONTACTED FOR THE LATEST REVISION.</small>		DWN	S. WELDON	21APR2005	AMP Tyco Electronics Harrisburg, PA 17105-3608
DIMENSIONS:		CHK	S. HEADER	21APR2005	
INCHES		APVD	S. HEADER	21APR2005	
		PRODUCT SPEC			
TOLERANCES UNLESS OTHERWISE SPECIFIED:		APPLICATION SPEC			
0 PLC ±		WEIGHT			
1 PLC ±0.1		SCALE	6:1		
2 PLC ±0.02		SHEET	1 OF 1		
3 PLC ±0.005		REV	C		
4 PLC ±0.0005		MATERIAL FINISH CUSTOMER DRAWING			
ANGLES ±		NAME SOCKET KIT, BREAKAWAY SIZE A200779 C-207028 CAGE CODE C-207028 DRAWING NO. 207028-1 RESTRICTED TO -			